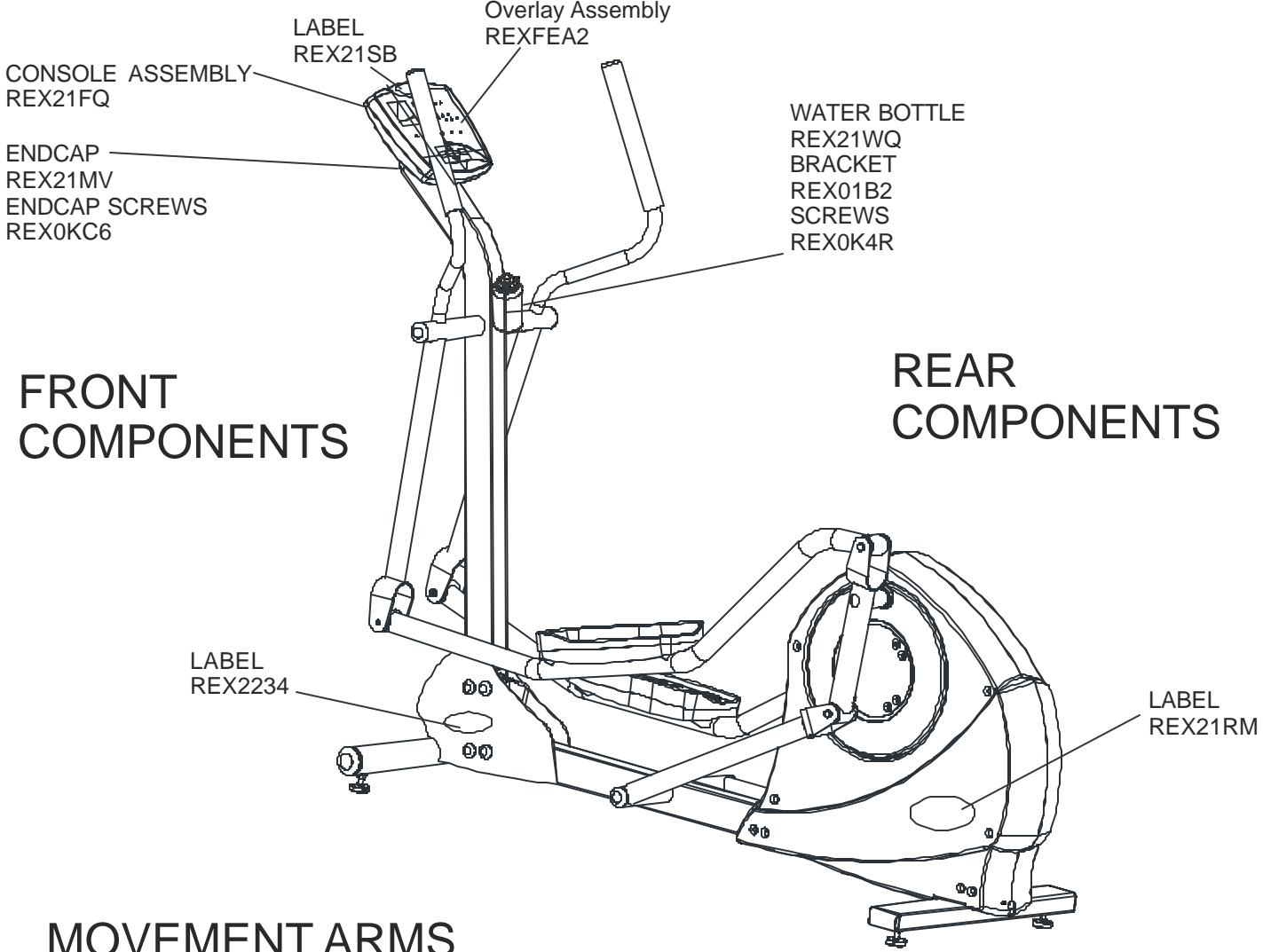


General Assembly

INSTALL HARDWARE BAG □  
REX22FN

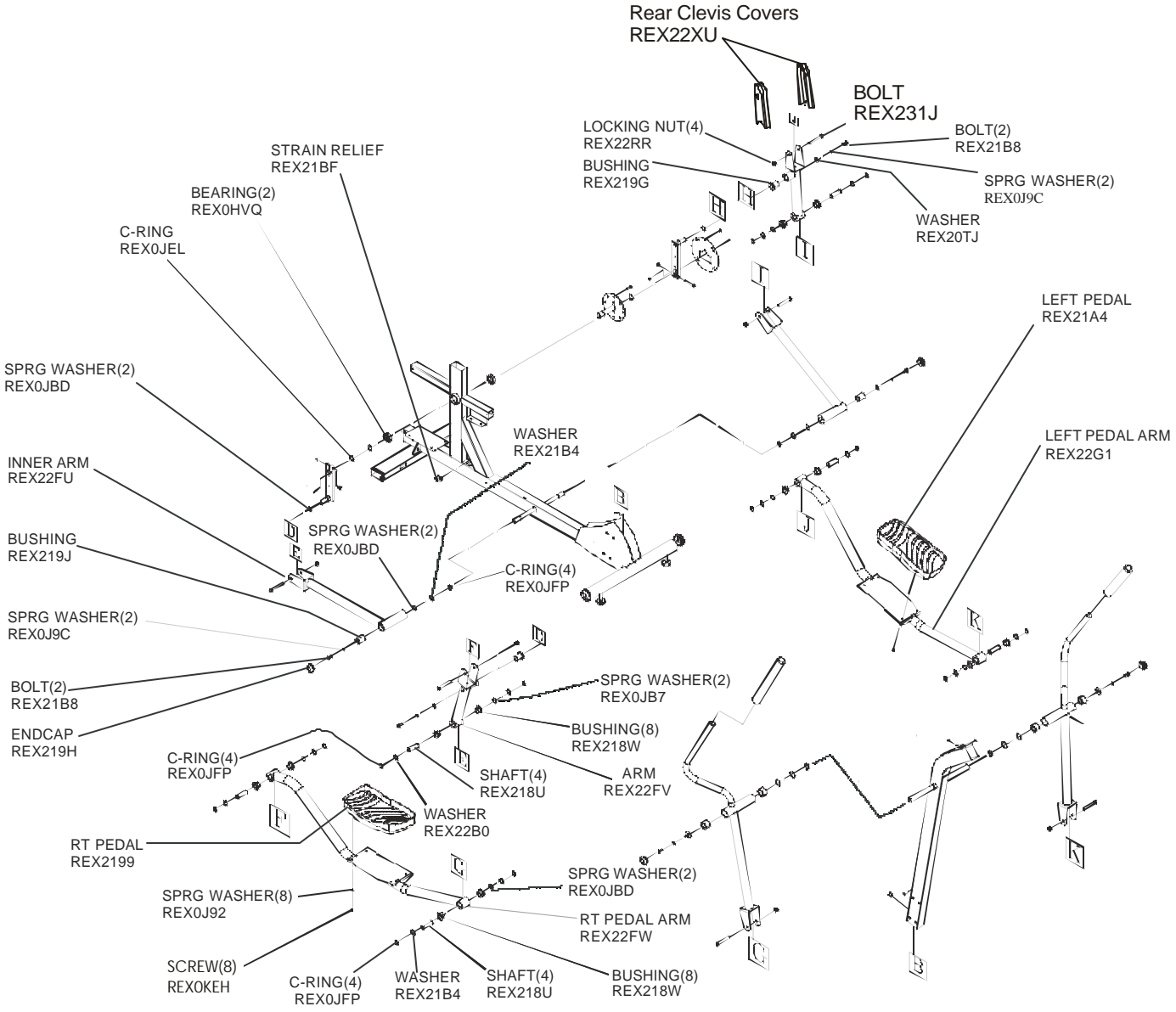


MOVEMENT ARMS  
& HARDWARE

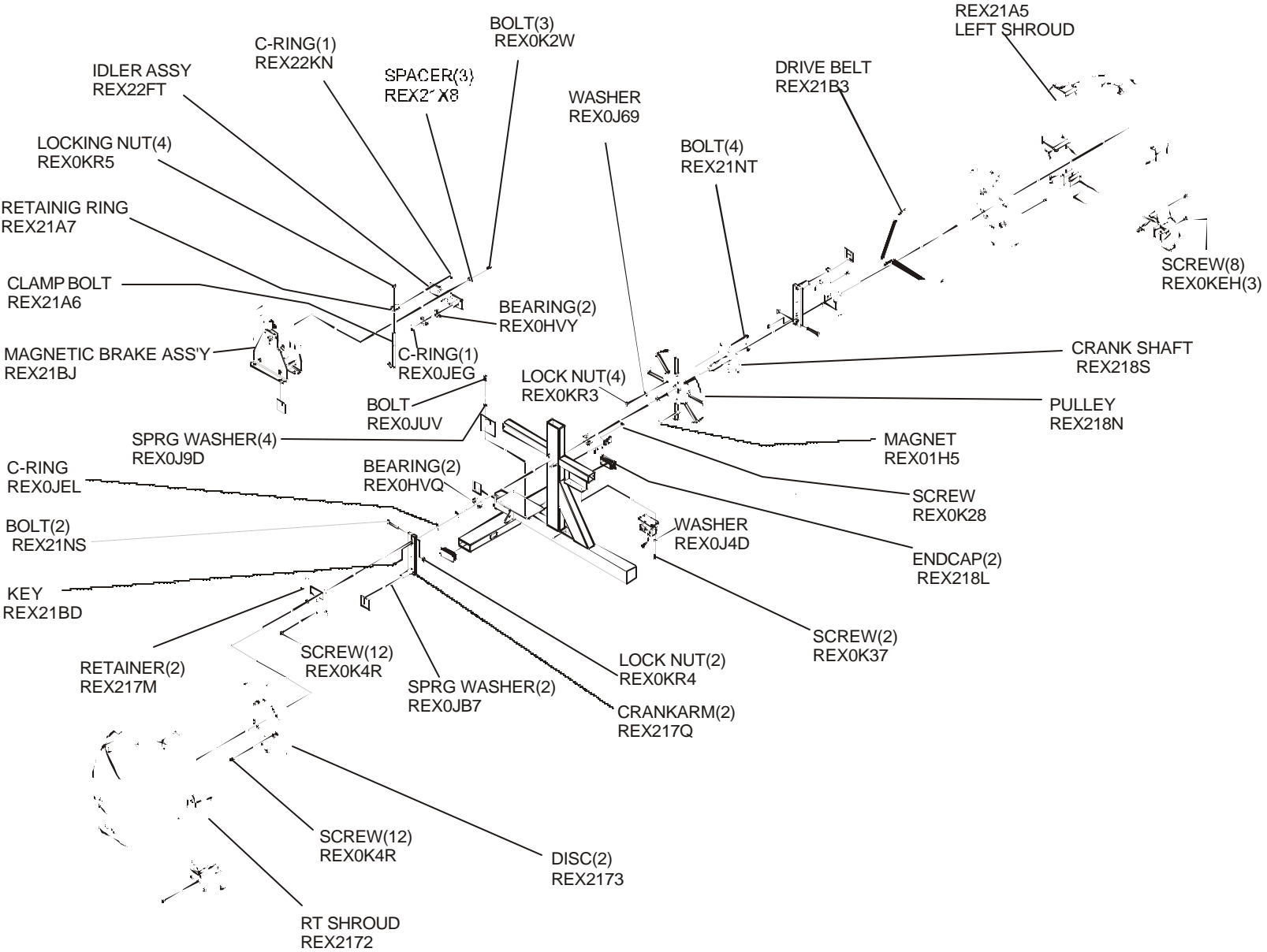
BLOCK  
DIAGRAM

CABLES

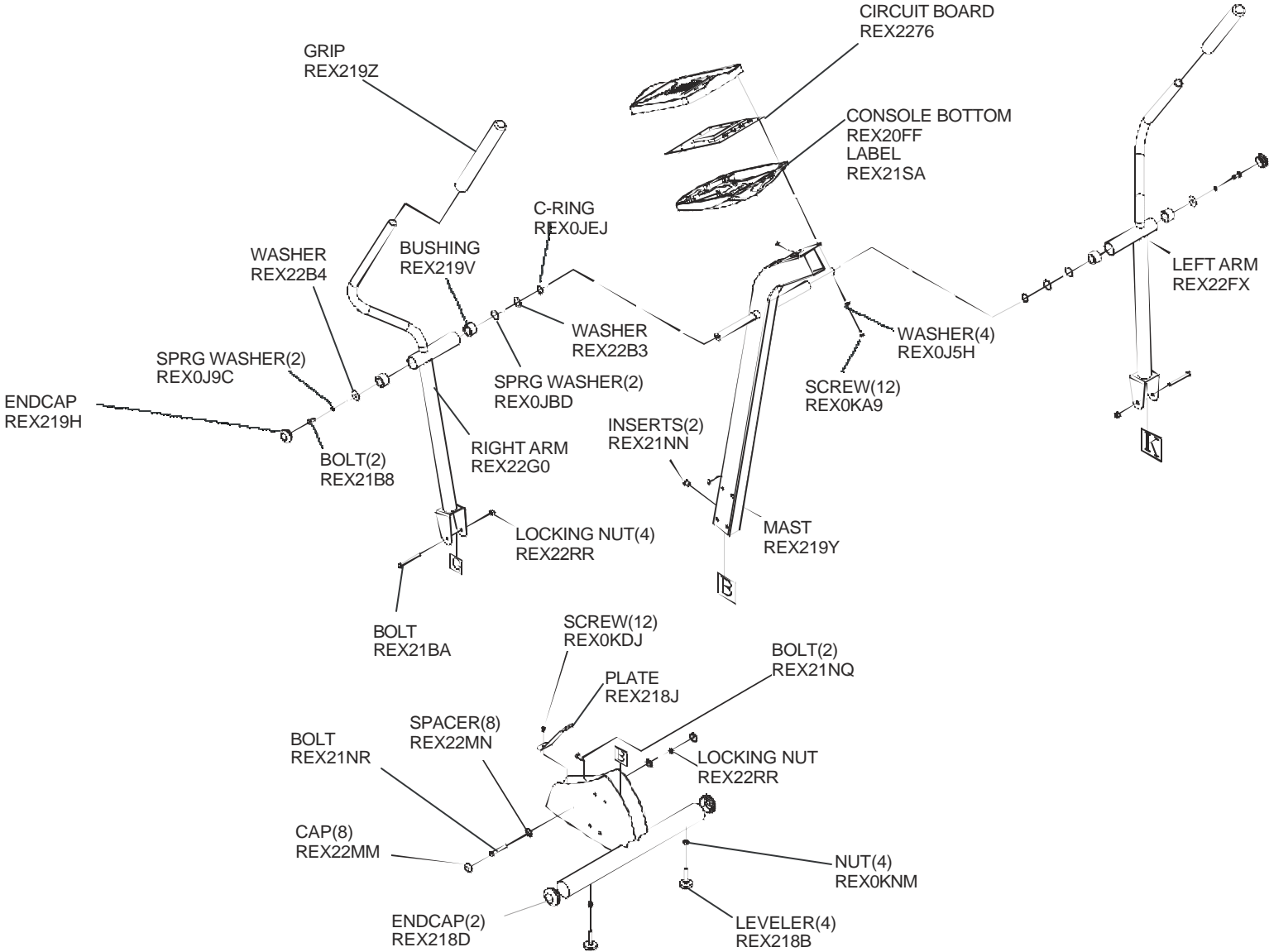
Movement Arms and Hardware



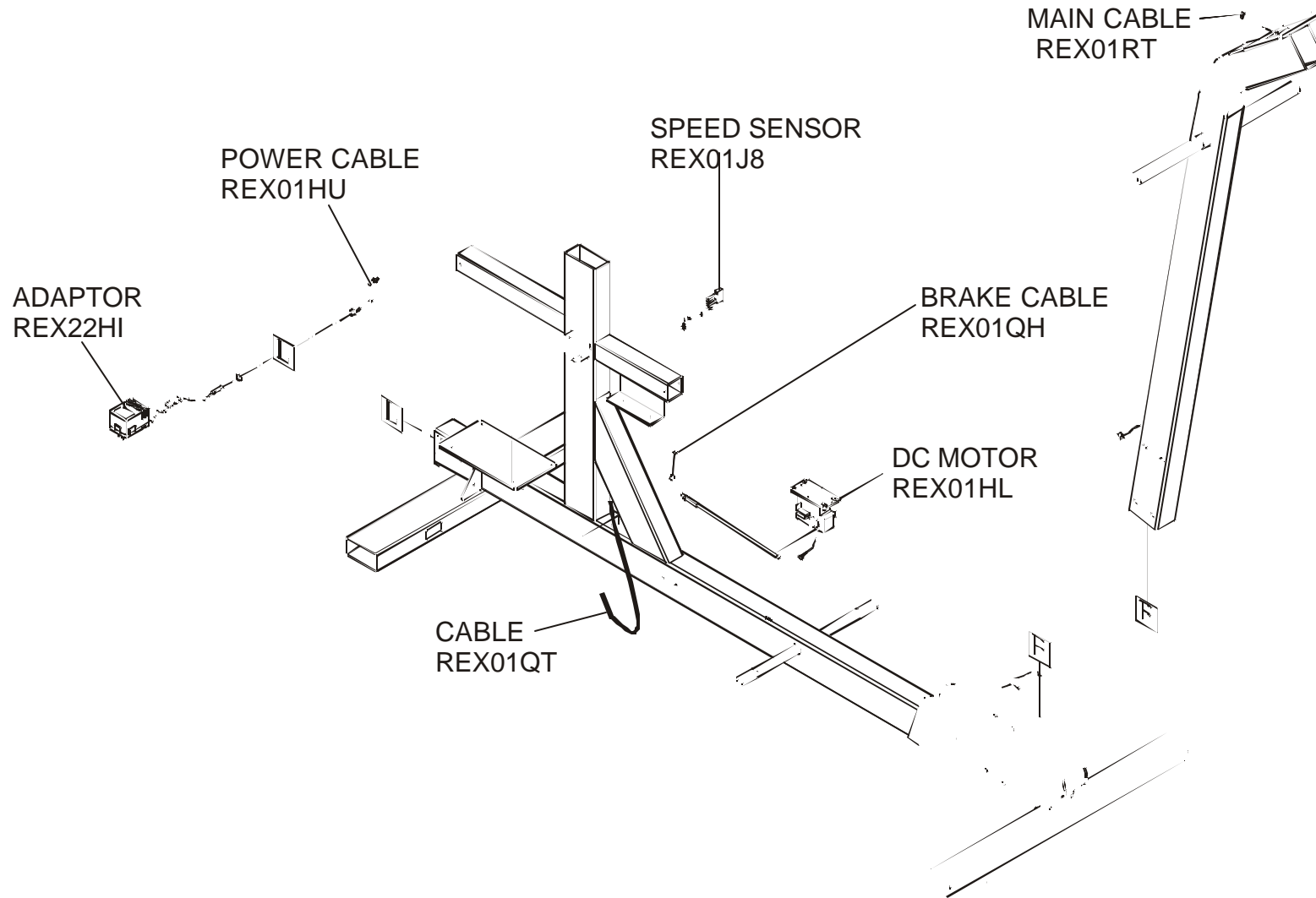
Rear Components



Front Components



**Cables**



BLOCK DIAGRAM

